

For exhaust gas temperature measurement

Type W20

Temperature sensor with connection head form B. This robust sensor is used for measuring exhaust gas temperatures. It is used in large diesel engines such as those on ships and in combined heat and power stations. It is also used in turbines and compressors.

Technical features

- Very high vibration resistance
- One-piece protection tube
- Available with optional instrument transformer
- Customer-specific fitting lengths and fixing thread on request

Accuracy class

- Resistance thermometer class B
- Thermocouple class 1

Measuring insert

Interchangeable

Diameter

- 14 / 17 mm conical up to 150 mm
- 17 / 23 mm conical up to 150 mm
- 20 / 23 mm conical from 200 mm

Degree of protection

IP54

Max. Temperature

Depending on Immersion tube material

Process connection

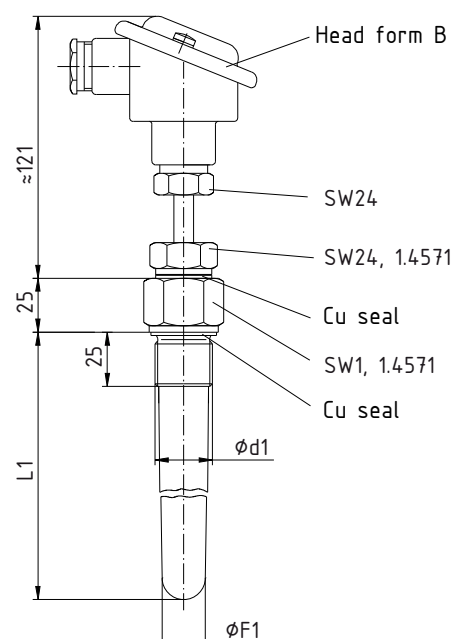
Fix connecting thread

Electrical connection

Head form B made of aluminium diecasting, silver finish, max. temperature 200 °C

Approvals

Germanischer Lloyd



Order code

Order example	W	20	3	P31	100	2	B0	3T6	ISSA-Code	IMPA-Code
Type										
Resistance thermometer	W									
Thermocouple	T									
Diameter										
14 / 17 mm conical (U1 = up to 150 mm)		14								
17 / 23 mm conical (U1 = up to 150 mm)		17								
20 / 23 mm conical (U1 = 200 mm up to 300 mm)		20								
Material										
Stainless steel 1.4571 (max. 450 °C)			3							
Steel 1.7335 (max. 600 °C)			5							
Sensor element										
1 x Pt100 3-wire / class B				P31						
1 x Pt1000 2-wire / class B				P12						
1 x Fe-CuNi (Typ J)				1TJ					61.116.00	
2 x Fe-CuNi (Typ J)				2TJ					-	65 25 22
1 x NiCr-Ni (Typ K)				1TK					61.116.12	
2 x NiCr-Ni (Typ K)				2TK						
Resistance thermometer / class A				AXX						
Length U1*										
100 mm					100					
120 mm					120					
150 mm					150					
200 mm					200					
250 mm					250					
300 mm					300					
Measuring insert										
Interchangeable						2				
Electrical connection										
Head form B with ceramic socket							B0			
Hopf form B with transmitter							BT			
Process connection d₁*										
G½ A (Ø 14 / 17 mm)								2T6		
G¾								3T6		
M27 x 2								HT6		
M33 x 2								FT6		

* Other specifications are also available on request